



■ AC Plug Type

AC plug type	2 pin Euro	2 pin USA	2 Pin China	3 pin UK	2 pin AU	2 pin JP	2 pin KR	2 pin IN	3 pin South Africa	Interchangeable
Shape No.	EU	US	CN	UK	AU	JP	KR	IN	/	yes

■ Features

- Universal AC input Full range
- **IEC60601/EN60601/UL60601 Medical Grade**
- 2 pole US, EU, AU/NZ, EK, JP, CN, IN and 3 pole UK plug, Class II power unit
- No load power consumption < 0.1W
- **Medical 2 x MOPP**
- Energy efficiency Level VI
- Comply with EISA 2007 / DoE and NRCAN
- Protections: Short circuit / Overload / Over voltage
- Fully enclosed plastic case
- Wide range working temperature

■ Applications

- Medical electronic devices
- Telecommunication devices
- Office facilities
- Industrial & Medical equipment



■ Description

KRE012MPS is a highly reliable, 12W wall-mounted style single-output industrial & Medical adaptor series. This product is a class II power unit (no FG), equipped with standard AC power plug, adopting the input range from 90VAC to 264VAC. The entire series supplies different models with output voltages ranging between 3.7VDC and 48VDC, 0 to 3.2 A that can satisfy the demands for various types of medical electronic devices.

**■ Mechanical Characteristics**

- see below Dimension Diagrams • Weight: abt 90g

**■ Characteristics**

**Input:**

**AC Input Voltage Rating**

100 to 240VAC

**AC Input Voltage Range**

90 to 264VAC

**AC Input Frequency**

47 to 63Hz

**Input Current**

0.66A (RMS) maximum at 120VAC 0.25A (RMS) maximum at 240VAC

**Touch Current**

10uA maximum Medical grade

**Inrush Current (Cold Start at ambient 25° C)**

30A for 120VAC and maximum load 60A for 240VAC at maximum load

**Input Power Saving**

0.1W maximum at no load

**Output: Efficiency**

Meet energy saving efficiency level VI.

**Hold-up Time**

10mS minimum at 120VAC and maximum load

**Short-Circuit Protection**

Auto restart

**Environmental Temperature**

Operation -10 to +40° C

Non-operation -40 to +85° C

Humidity 10-90% non-condensing

**Emissions**

Complies with FCC Class B Complies with EN55011 Class B

ESD Immunity ±8kV contact / ±15kV air

**Immunity**

AN/NZS CISPR22

EN55011

EN60601-1-11 Level EN61000-4-3 Level

EN61000-4-4 Level EN61000-4-5 Level

EN61000-4-6 Level EN61000-4-8 Level

EN61000-4-11 Level EN61000-3-2 Level

EN61000-3-3 Level

GB9254+GB1762

**Dielectric Withstand (Hi-pot) Test Primary to Secondary:**

2 x MOPP (4560VACx2)

3500V AC for 1 min., 10mA

Primary to F.G.: 1500V AC for 1 min., 10mA

**DC Output Connector**

Type C cable, 2.1 x 5.5mm Center Positive+ Standard or equivalent,

Or see *KRE-connectors-Spec.pdf*

**Output Cable**

1.2 meter (4.7 feet), UL2468, from 24-18AWG guage or equivalent

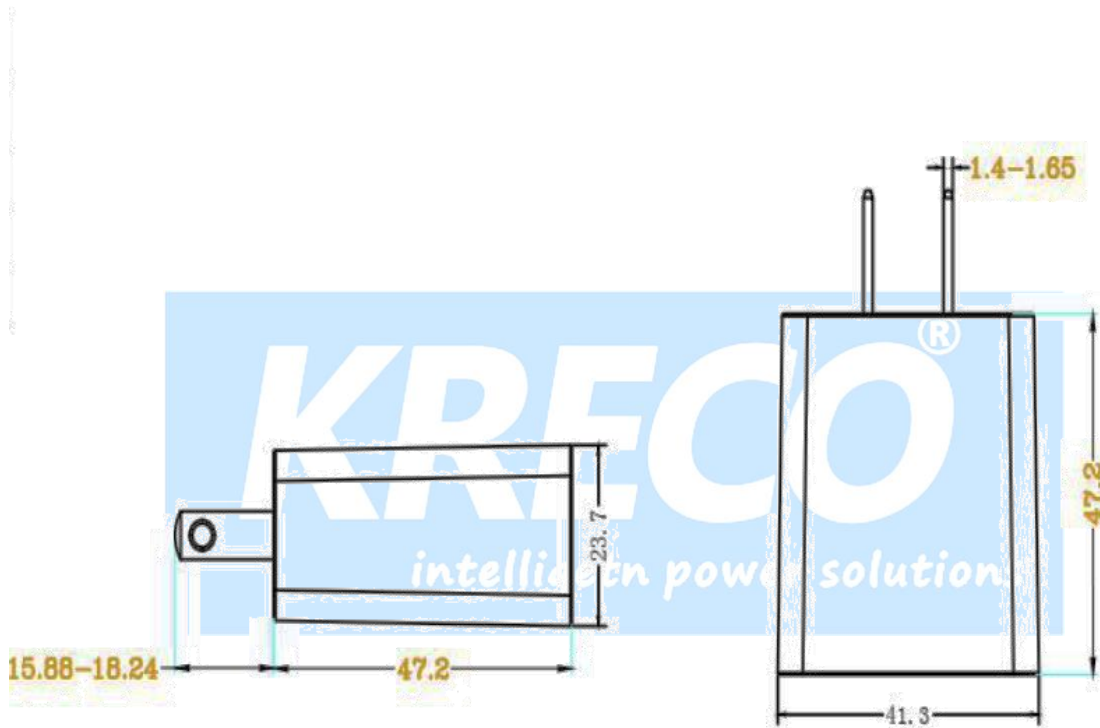
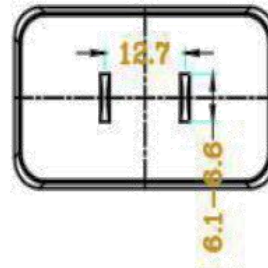
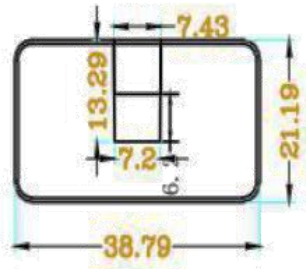
**Mating Connector**

Equivalent

■ Output Specifications

KRECO P/N (see note)	DC Output Voltage	Load		Output Power	Safety Approvals	Energy Savin g Level	Standards
		Min	Max				
KRE012MPS-xxxxyyZ or KRE-xxxxyyZ	3.7-48.0V	0.01A	3.2A	12W max	UL/CUL/FCC/CB/CE/UKCA	VI	EN/IEC/UL60601





- (1) Z for power plug version, normally include EU, UK, US, AU version plugs, more plug type could be re-designed, or added to production order.
- (2) Output cable length or USB type does not effect the safety certification.
- (2) xxx for Output voltage and yyy for output current, what you are going to order, please must specify to sales.
- (3) Safety model number differs from the order number, part number, and shape number as per respective OEM/ODM factories.

Kreco is not responsible for any error, and reserves the right to make changes without notice. Please visit our website at [www.kreco.com.cn](http://www.kreco.com.cn) for the most up-to-date specifications and contact information.