

■ Features

- Universal AC input Full range
- IEC/EN/UL62368;IEC/EN61558;UL1310;GB4943;GB8898;CQC4706 Standards
- 2 pole US, EU, AU/NZ, EK, JP, CN, IN and 3 pole UK and ZA plug, Class II power unit
- No load power consumption < 0.1W
- Energy efficiency Level VI
- Comply with ERP / EISA 2007 / DoE and NRCan
- Protections: OCP / OVP / OTP / SCP
- Fully enclosed UL94-V0 plastic case
- IP67 waterproof grade available



■ AC Plug Type

| Wall mount type | 2 pin Euro | 2 pin USA | 2 Pin China | 3 pin UK | 2 pin AU | 2 pin JP | 2 pin KR | 2 pins IN | 3 pin South Africa | Interchangeable |
|-----------------|------------|-----------|-------------|----------|----------|----------|----------|-----------|--------------------|-----------------|
| Fig No. | EU | US | CN | UK | AU | JP | KR | IN | ZA | Z |

| Desktop Type | Class I | Class II | Class II |
|---------------|------------------|---------------------|------------------|
| AC inlet type | 3 pole IEC320-C6 | Fixed AC Power Cord | 2 pole IEC320-C8 |
| Fig No. | KM39x-C6 | KM39x-Fixed | KM39x-C8 |

■ Applications

- Consumer electronic devices
- Telecommunication devices
- Office facilities
- Industrial equipment



■ Description

KM39x is a highly reliable, 38W wall-mounted style single-output industrial power adaptor series. This product is a class II power unit, equipped with standard AC power plug, adopting the input range from 90VAC to 264VAC. The entire series supplies different models with output voltages ranging between 5.0VDC and 55.0VDC, 0 to 5.0 A that can satisfy the demands for various types of electronic devices.

■ Characteristics

Input:

AC Input Voltage Rating

100 to 240VAC

AC Input Voltage Range

90 to 264VAC

Input Current

1.5A (RMS) max

Inrush Current (Cold Start at ambient 25° C)

30A for 120VAC at max load

60A for 240VAC at max load

Input Power Saving

0.1W maximum at no load

Output: Efficiency

Meet energy saving efficiency level VI.

Hold-up Time

10mS minimum at 120VAC and maximum load

Short-Circuit Protection

Auto restart

Environmental Temperature

Operation -20 to +40°C

Non-operation -40 to +85°C

Humidity 10 - 98% non-condensing

Emissions

Complies with FCC Class B Complies with EN55032 Class B

ESD Immunity ±8kV contact / ±4kV air

Immunity

| | | | |
|----------------|---------|-------------|---------------|
| AN/NZS CISPR22 | EN55024 | J55022 | GB9254+GB1762 |
| EN61000-4-2 | Level | EN61000-4-3 | Level |
| EN61000-4-4 | Level | EN61000-4-5 | Level |
| EN61000-4-6 | Level | EN61000-4-8 | Level |
| EN61000-4-11 | Level | EN61000-3-2 | Level |
| EN61000-3-3 | Level | | |

Dielectric Withstand (Hi-pot) Test:

Pri to Sec: 3750V AC for 1 min., 10mA

Primary to F.G.: 1500V AC for 1 min., 10mA

DC Output Connector

2.1 x 5.5mm Center Positive+ Standard or equivalent,

Or see [KRE-connectors-Spec.pdf](#)

Output Cable

1.5 meters (4.9 feet), UL2464/2468, from 24-16AWG guage or equivalent

Mating Connector

Equivalent

■ Model List

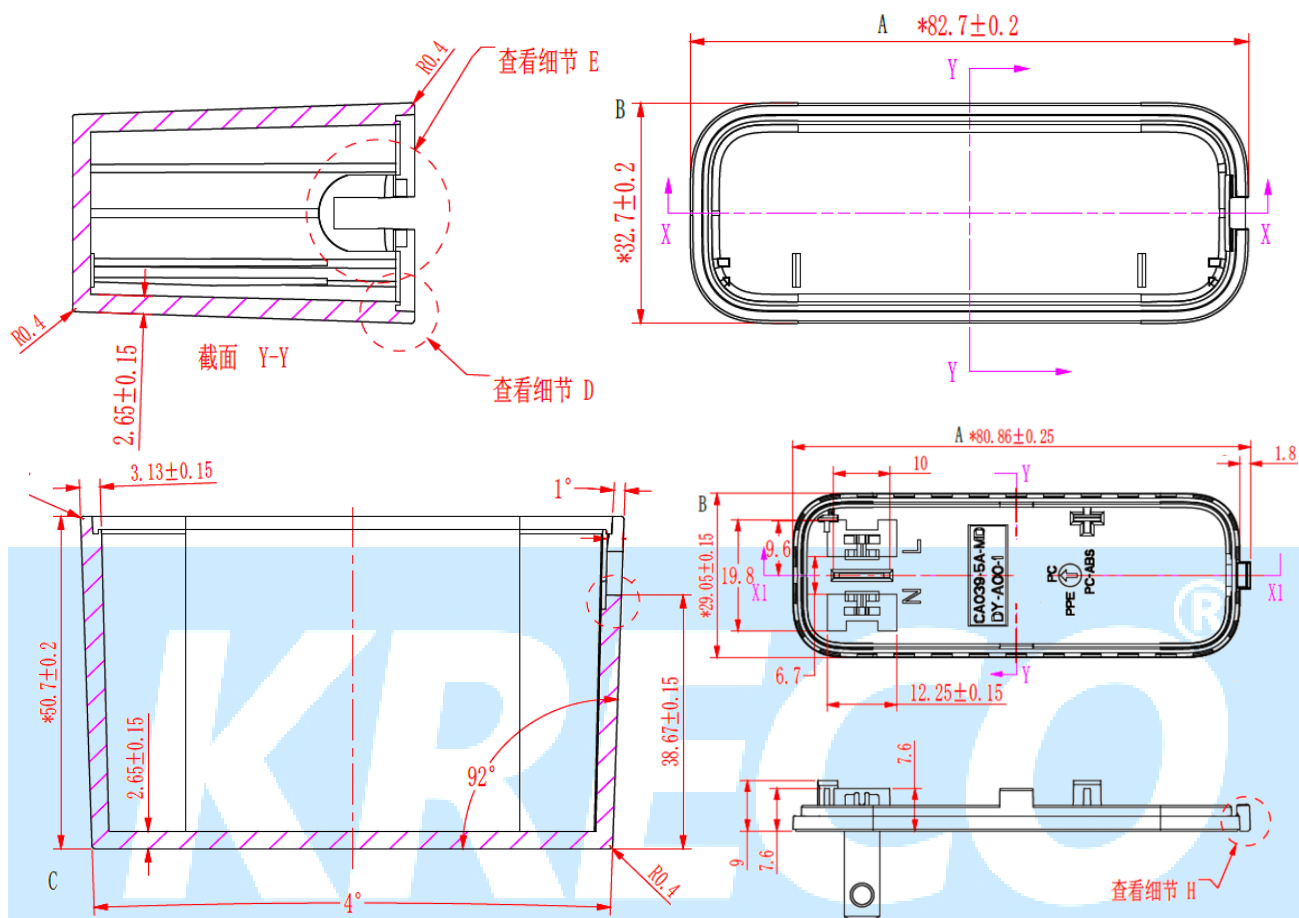
| KRECO P/N (see note) | DC Output Voltage | Load | | Output Power | Safety Approvals | Energy Saving Level | Standards |
|-----------------------------------|----------------------|-------|-------|-----------------|---|---------------------------|--|
| | | Min | Max | | | | |
| KM39-xxxxyyZ or GM39-XXXXYY | 5.0 – 8.9V | 0.01A | 4.0A | 22.5W max | ETL/UL/CUL/EMC/FCC/CB/TUV/GS CE/UKCA/RCM/ICES/KC/PSE/BIS | VI | EN/IEC/UL62368 EN/IEC61558 UL1310 GB4943 GB8898 CQC4706 |
| | 9.0 – 18.9V | 0.01A | 3.0A | 36W max | | | |
| | 19.0 – 30.0V | 0.01A | 1.8A | 36W max | | | |
| | 30.1 – 42.0 | 0.01 | 1.05A | 38W max | | | |
| | 42.1 – 55.0V | 0.01A | 0.79A | 38W max | | | |
| | | | | | | | |

Note: Other output voltages are available upon request.



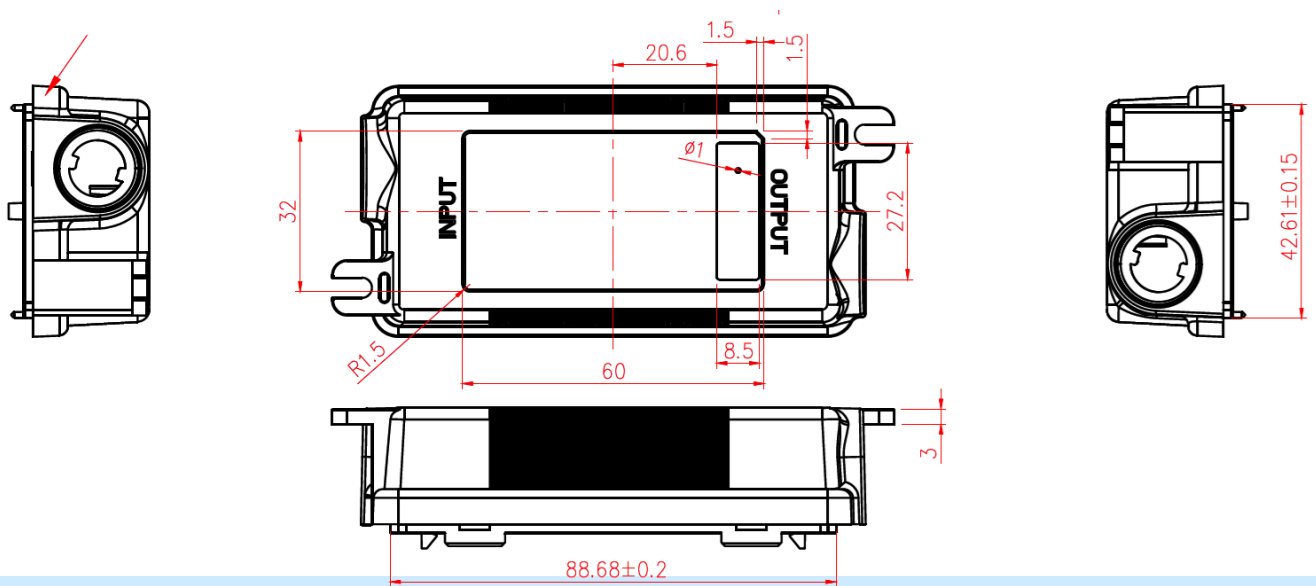
■ Dimensions (Unit mm)

Fig: KM39x-US



intelligent power solutions

Fig: KM39x-fixed (desktop and IP67)



KRECO[®]

* More drawings are updating...

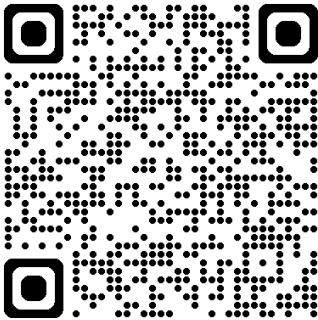
intelligent power solutions

Notes

- 1) i for Interchangeable version, normally include EU, US, UK, AU version plugs, more plug type could be re-designed, or added to production order.
- 2) xxx for Output voltage and yyy or yyyy for output current, z for other variables, what you are going to order, please must specify to sales.
- 3) Safety model number may differ from the order number, KRECO P/N number, and shape number as per respective OEM/ODM factories.
- 4) Optional for DC output connector
see [KRE-connectors-Spec.pdf](#)



- 5) Scan the QR code to download to your smart phone.
see [KM39x-SPEC.pdf](#)



Disclaimer: Kresco is not responsible for any error, and reserves the right to make changes without notice. Please visit our website at www.kreco.com.cn for the most up-to-date specifications and contact information.

KRECO[®]
intelligent power solutions